

FIG. 1

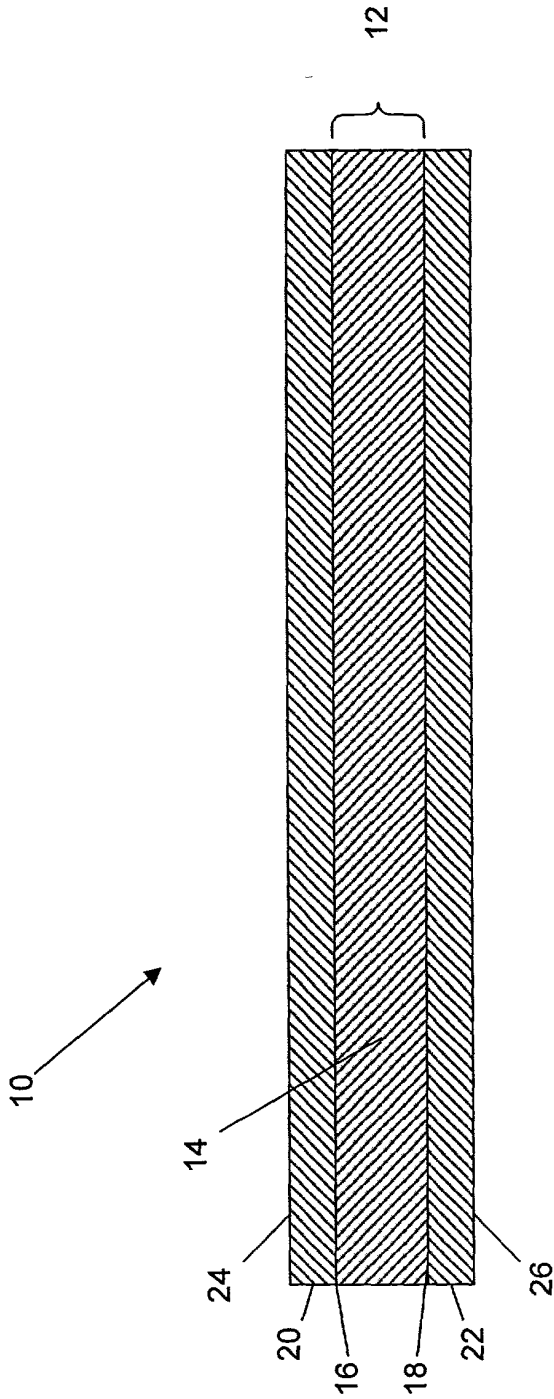


FIG. 1

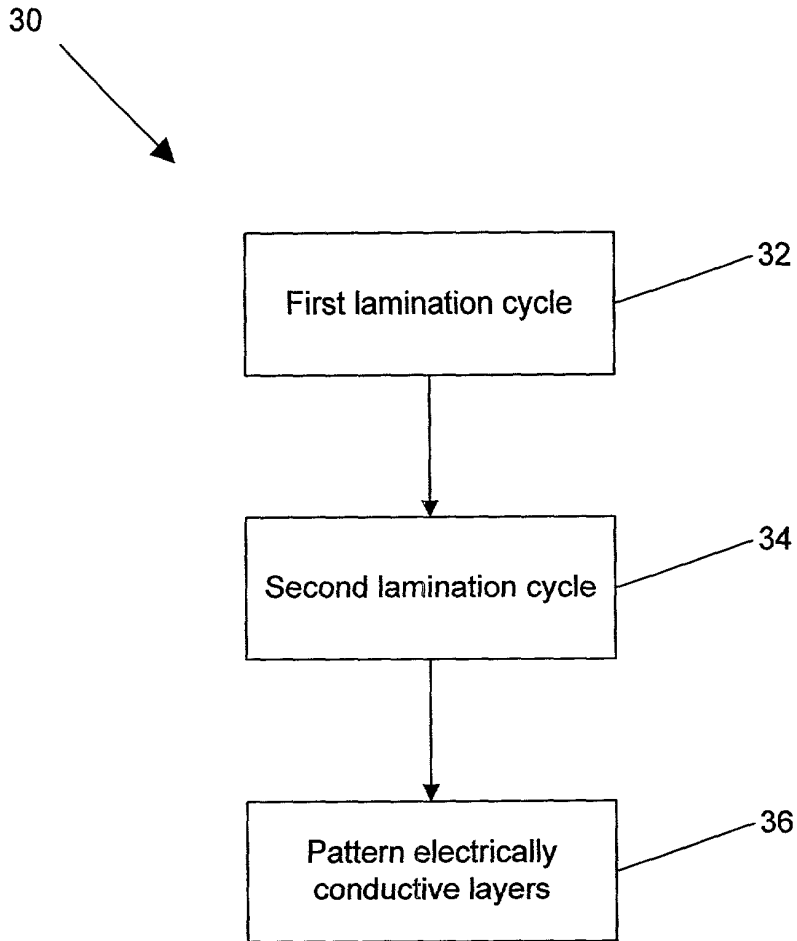


FIG. 2A

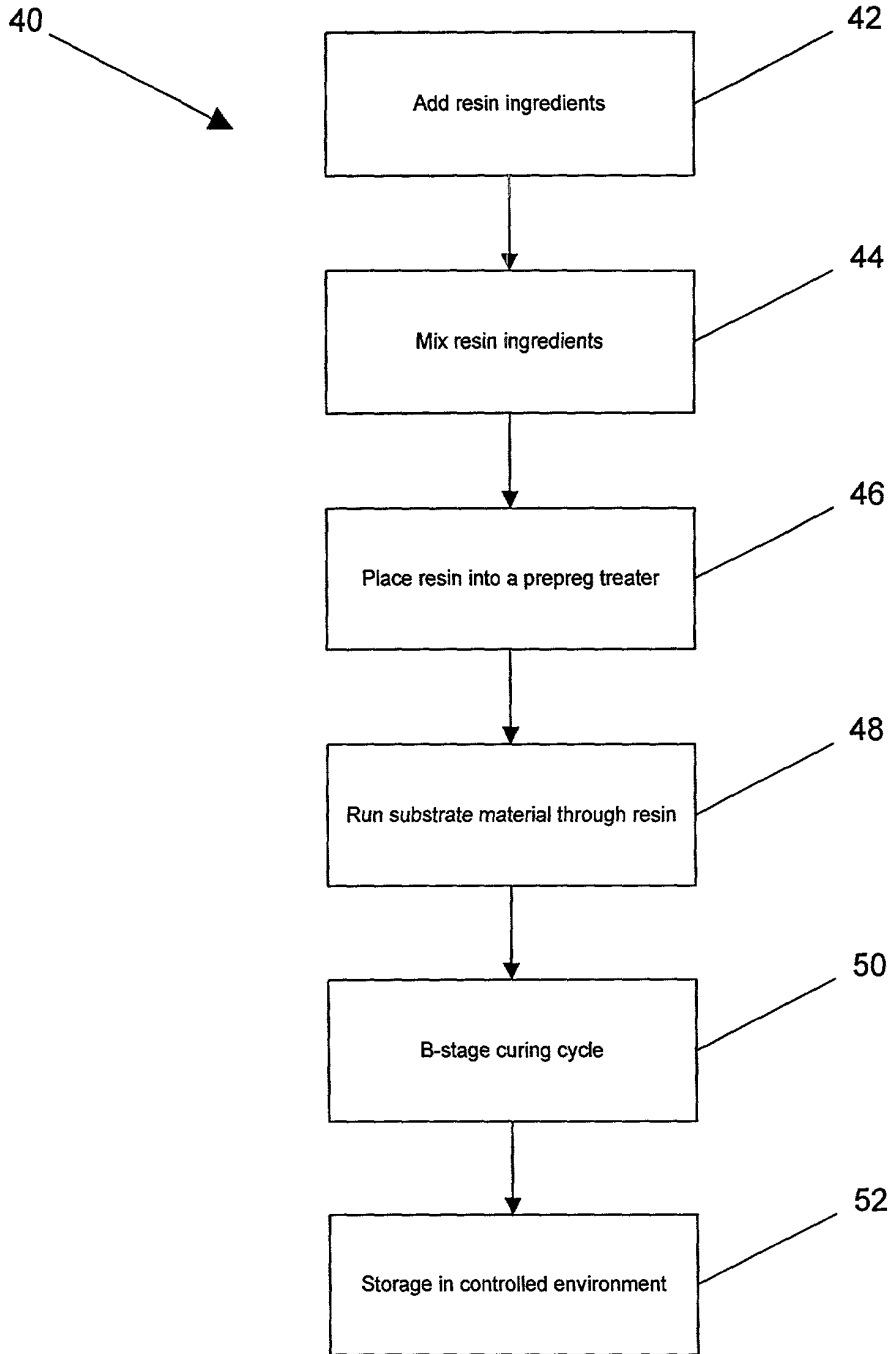


FIG. 2B

FIG. 3

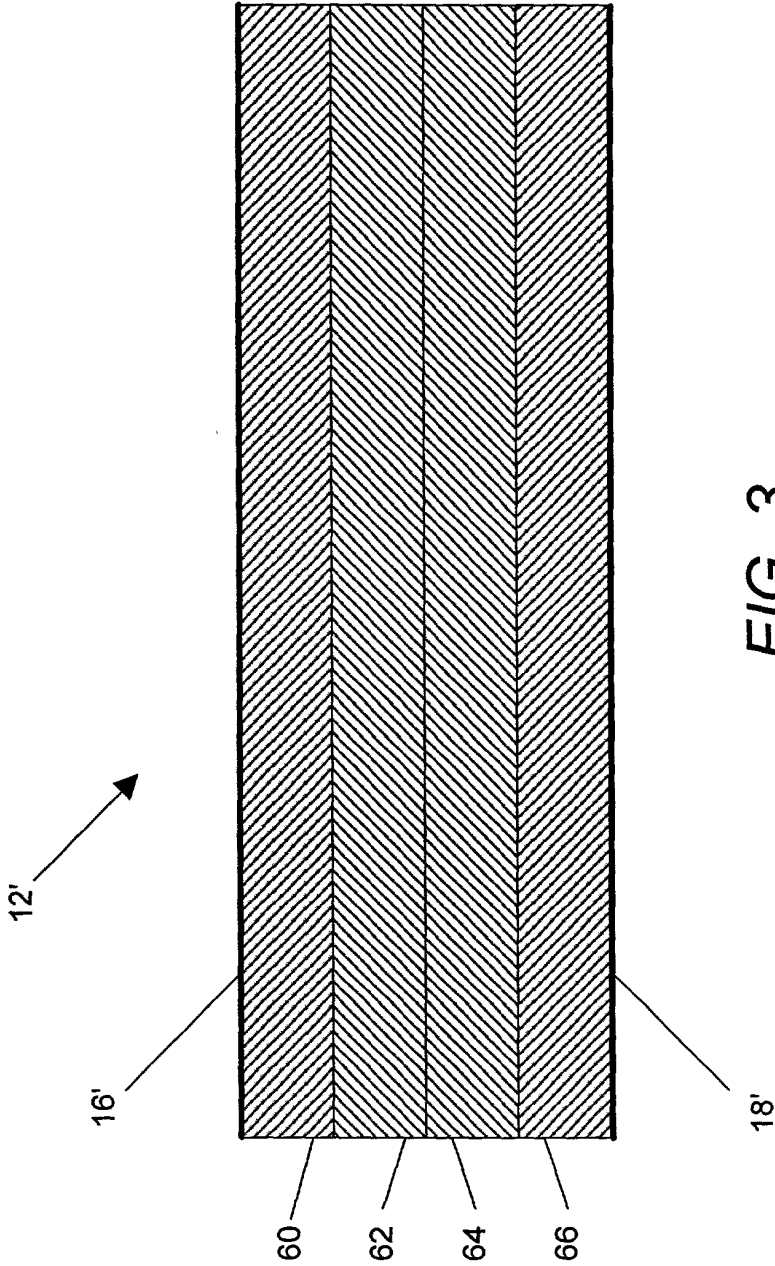


FIG. 3

FOOTPRINT 9050200T

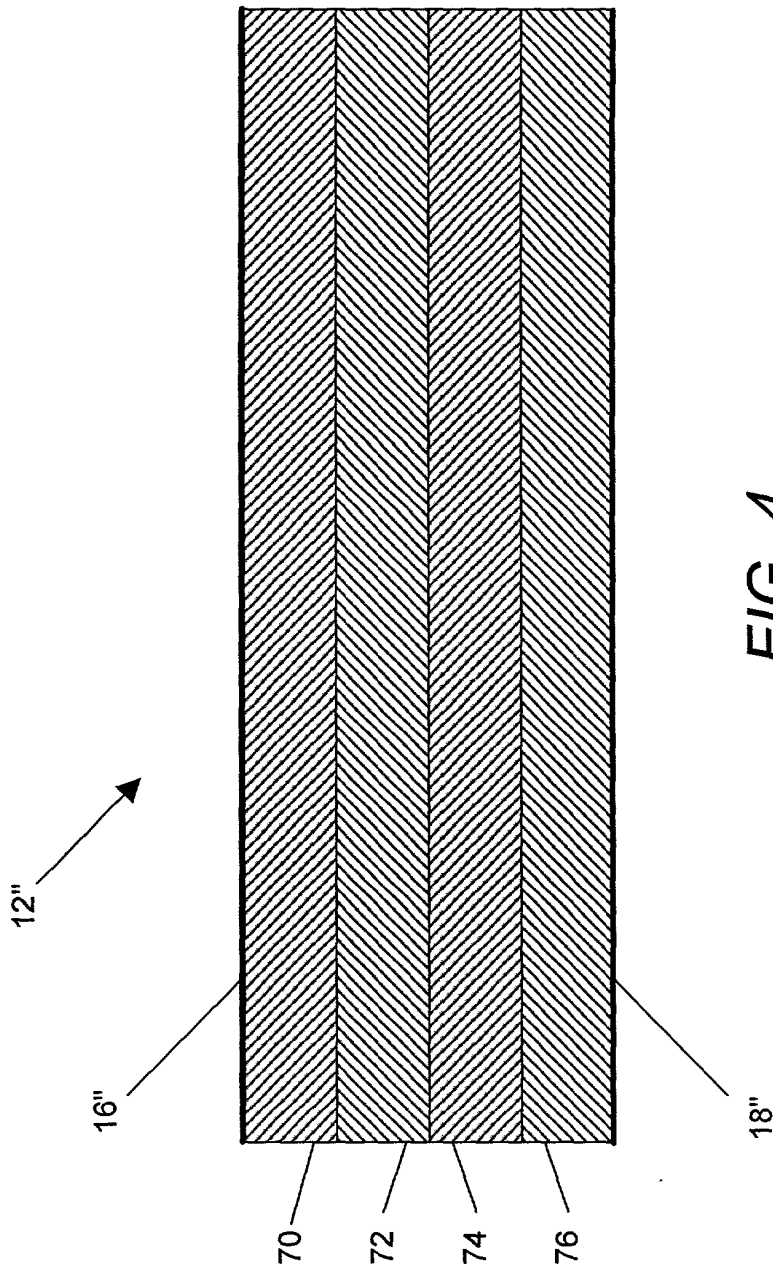


FIG. 4

FOR FET "S050200T

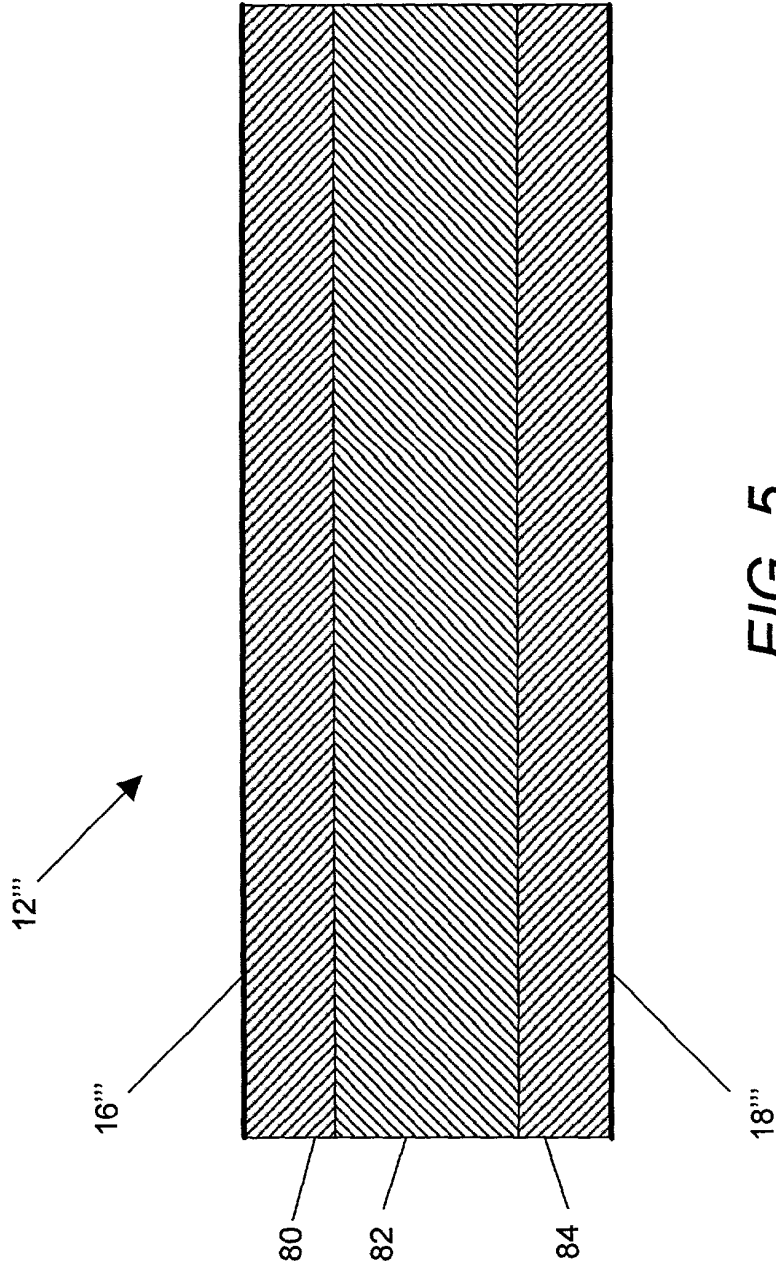


FIG. 5

FOR 27" SHEET

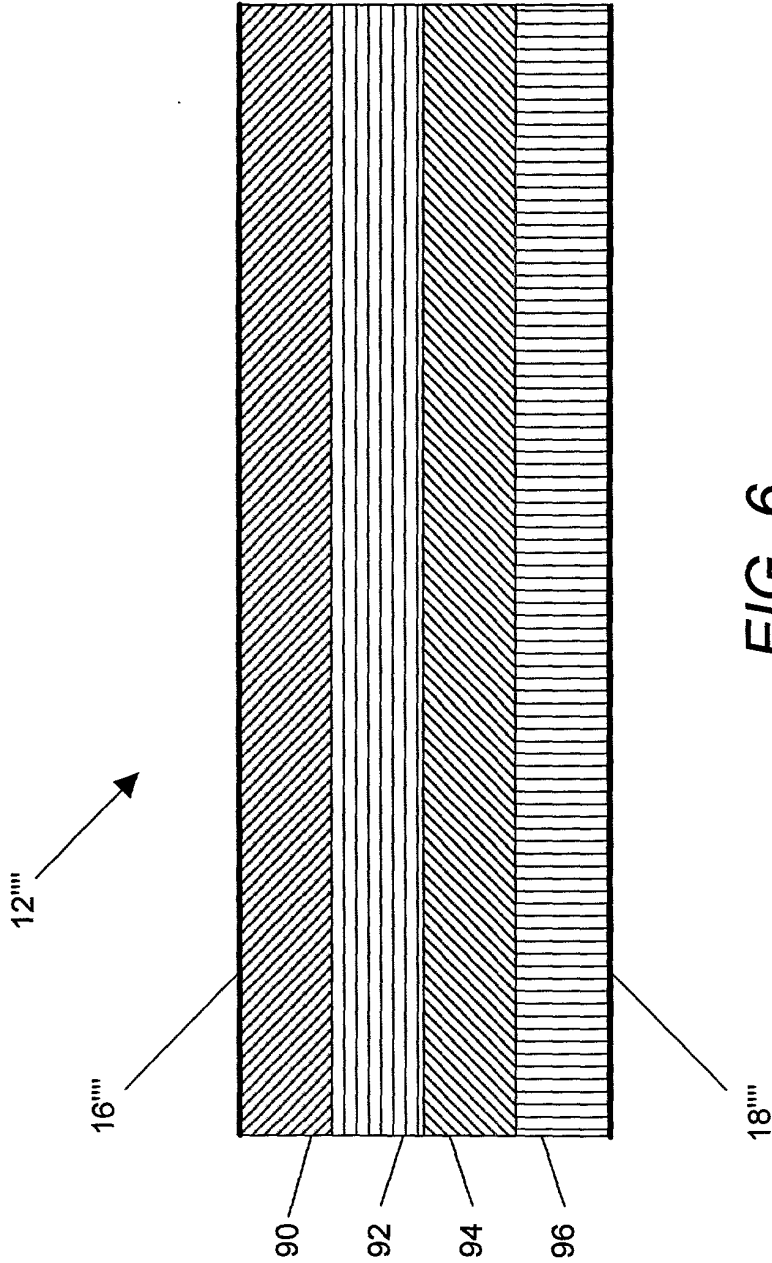


FIG. 6

FOR THE SUBSEQUENT

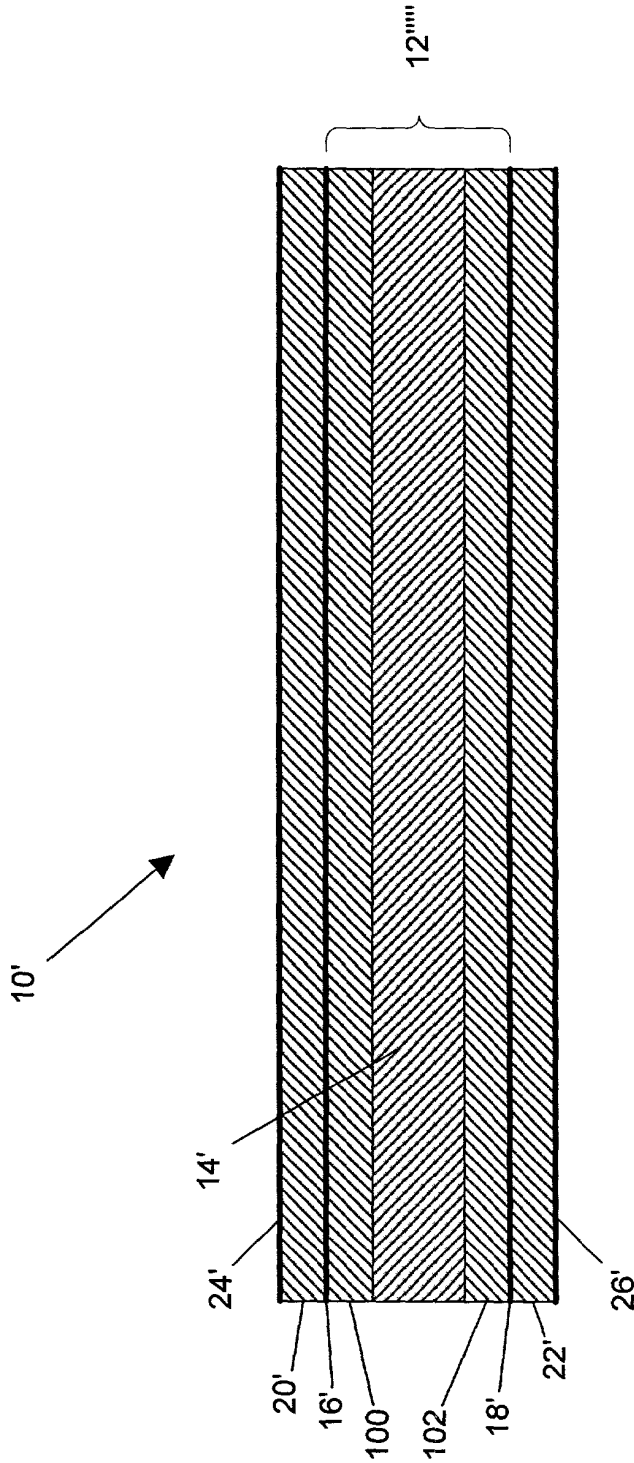


FIG. 7

FIG. 8

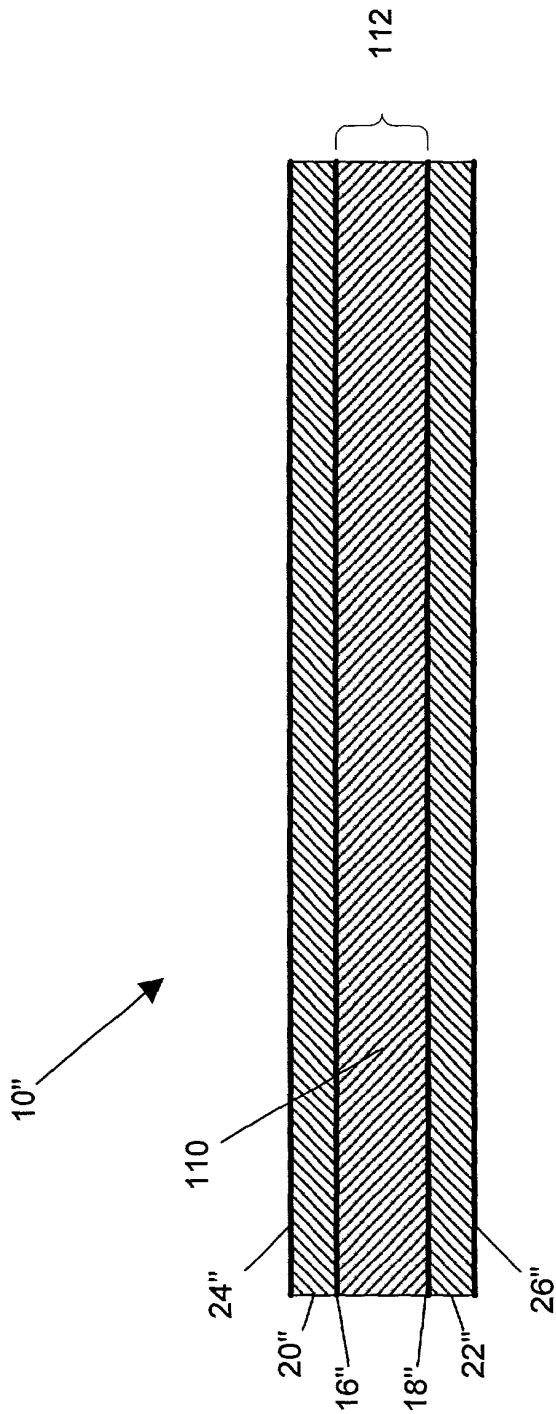


FIG. 8

FOR FURTHER INFORMATION

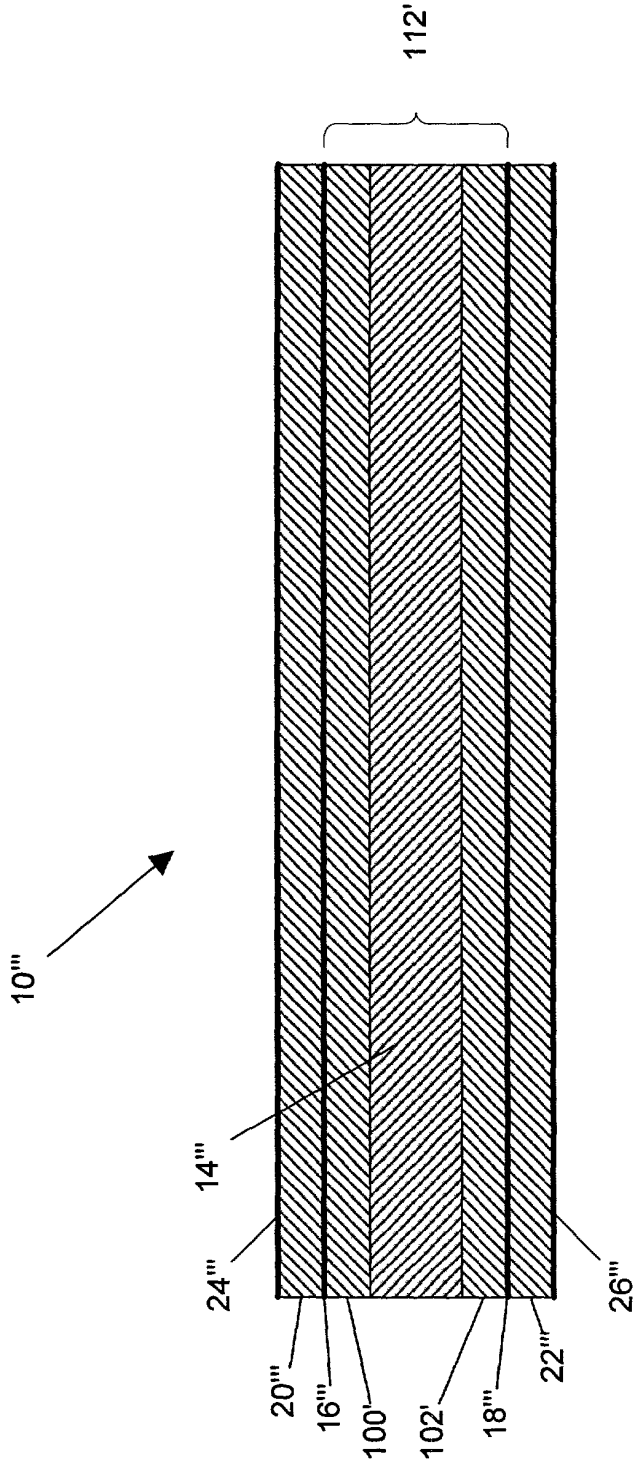


FIG. 9

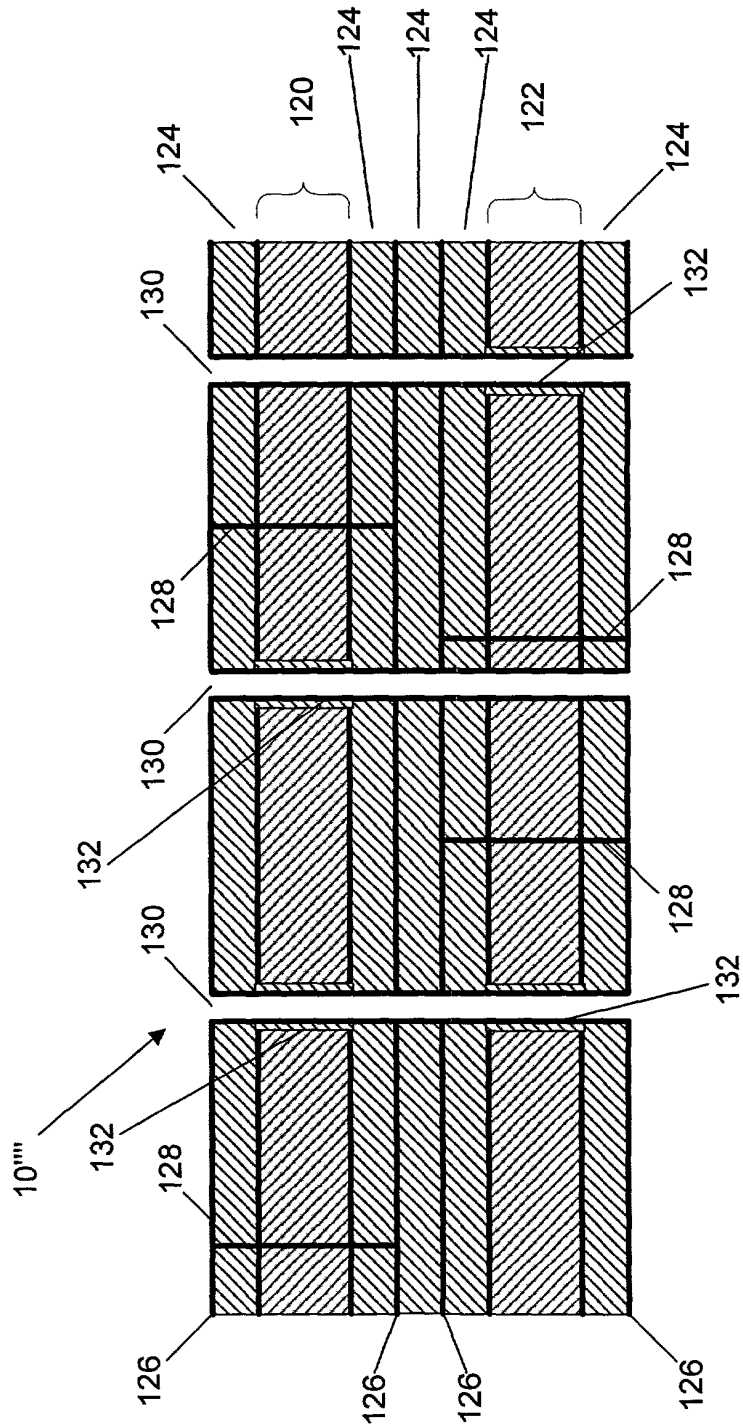


FIG. 10

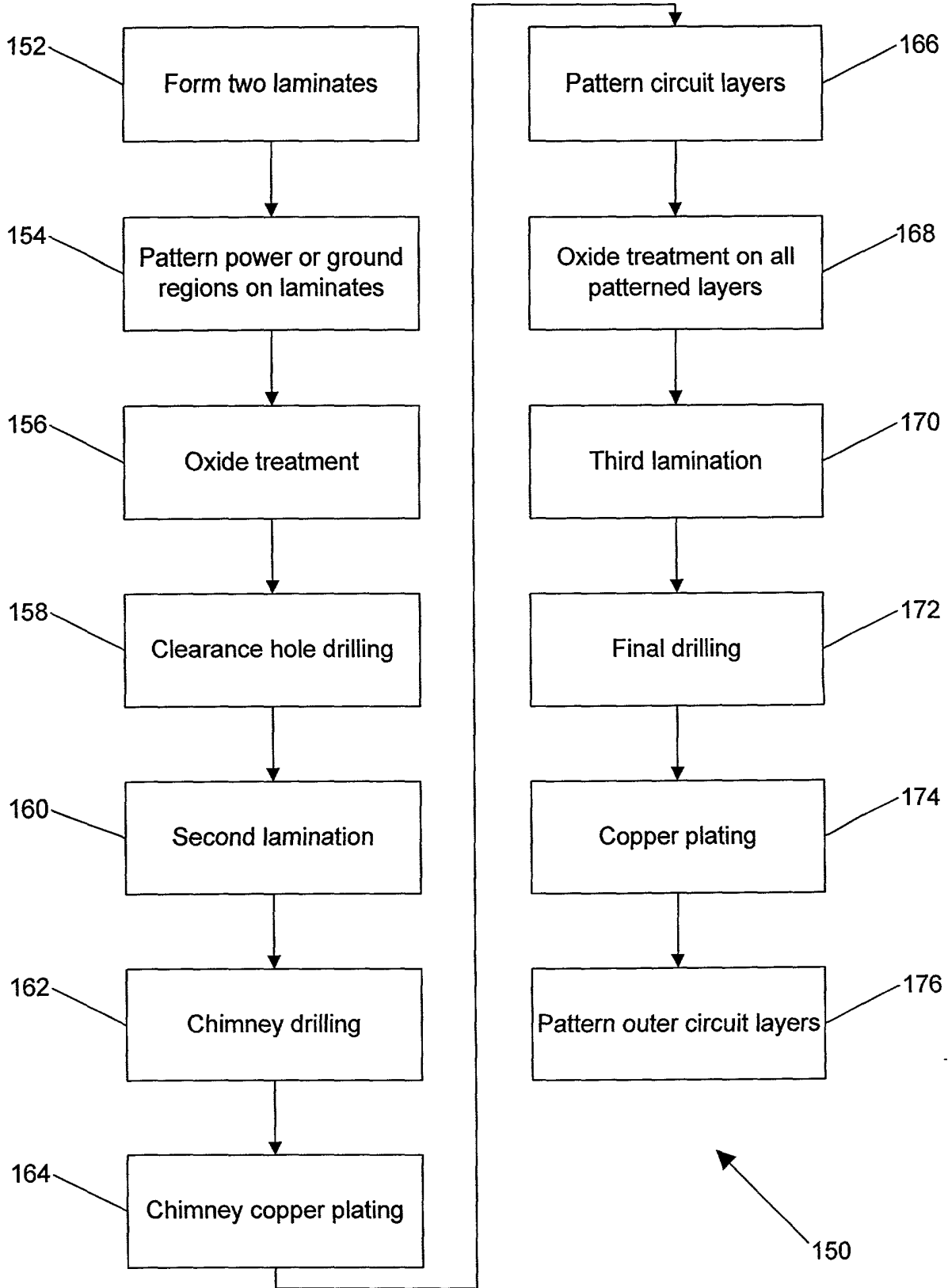


FIG. 11A

TOP SHEET

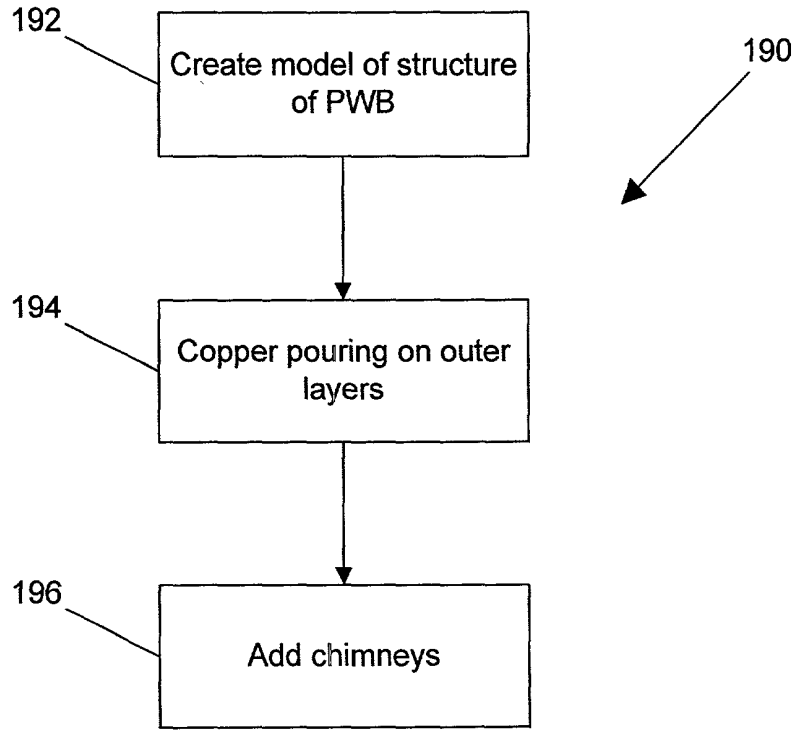


FIG. 11B

FOR SUBMIT

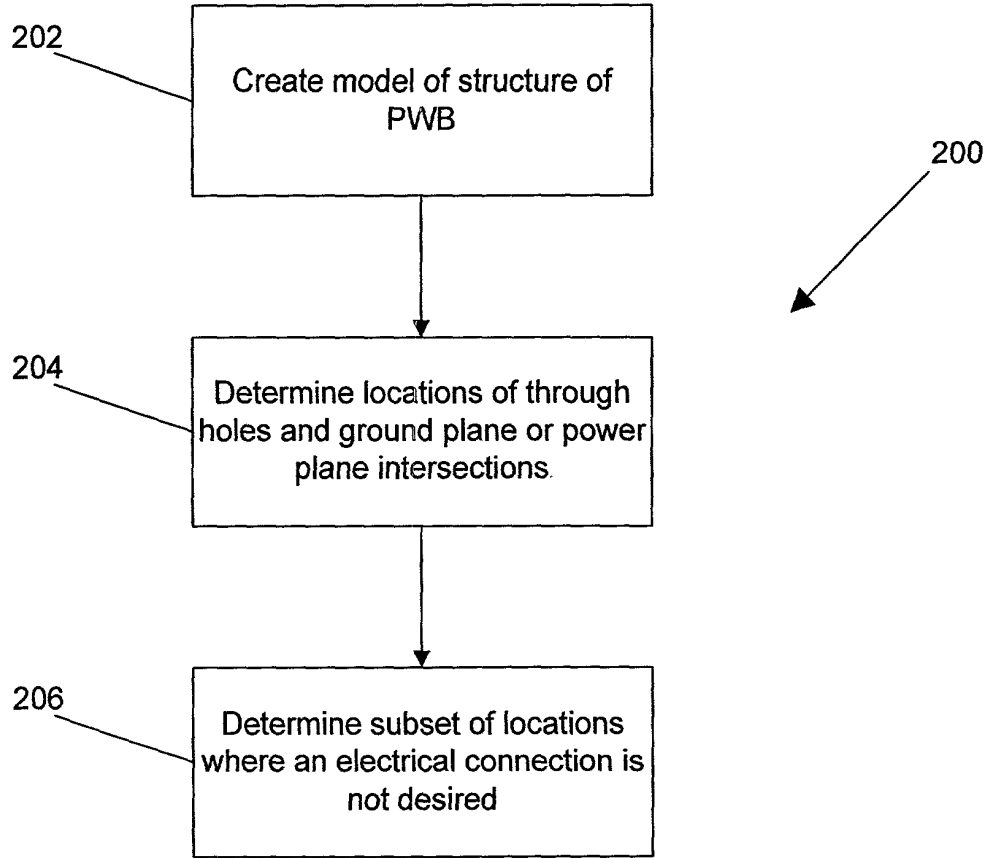


FIG. 11C

FOR PUBLICATION

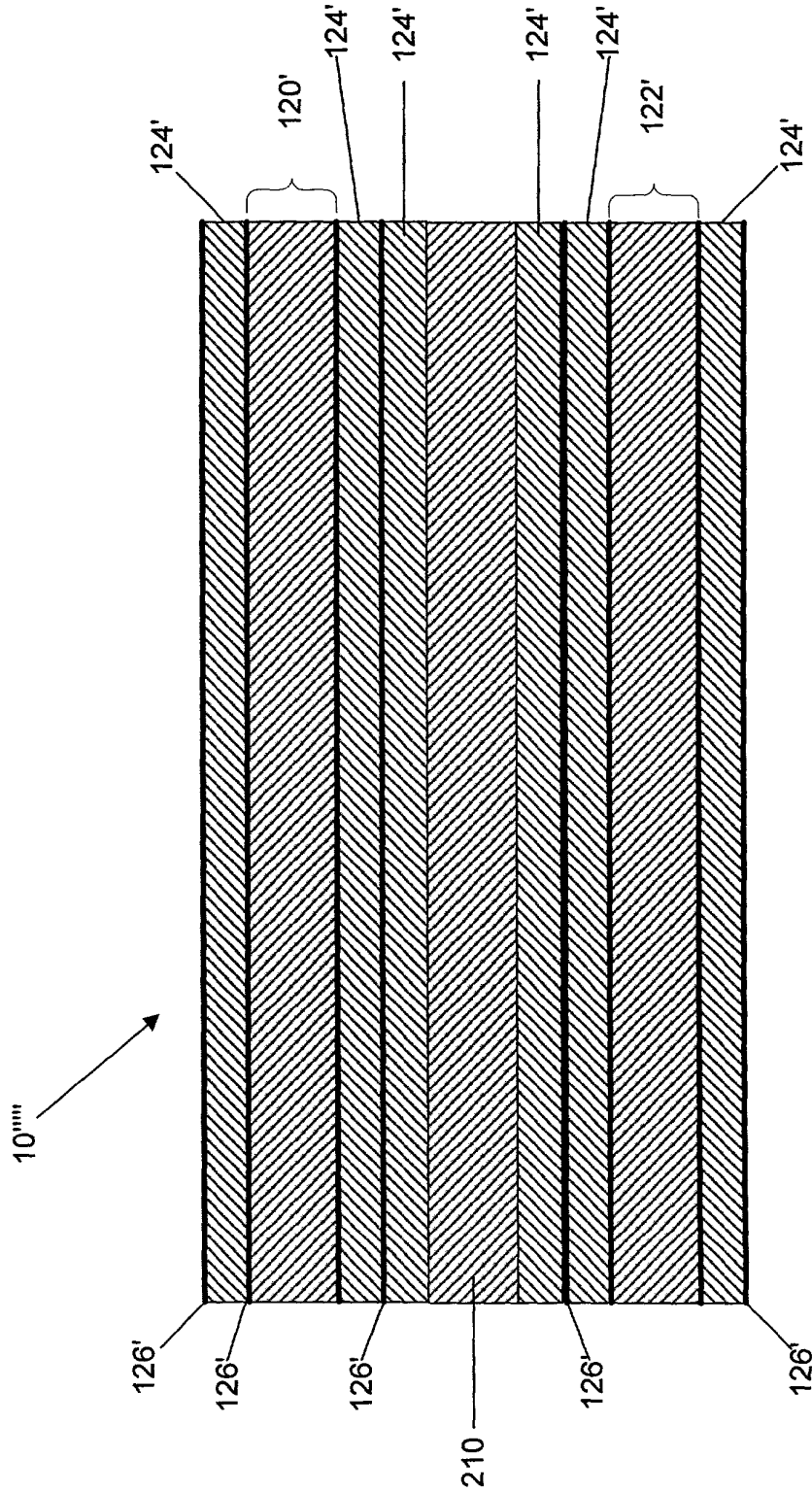


FIG. 12

FOR PAPER SUBMISSION